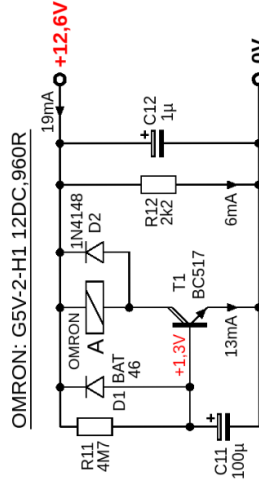
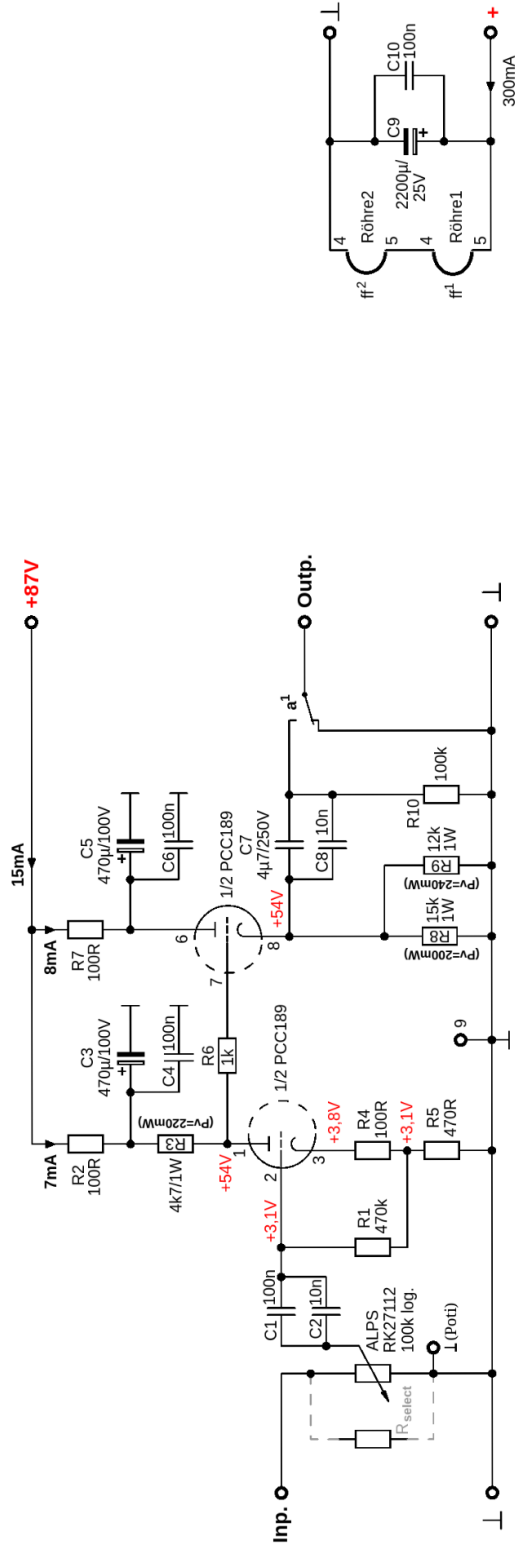


Tube ONE Schaltplan

(Verstärker-Platine)



$t = R_{11} \times C_{11} \times \ln(1 - U_{BE} / U_D)$; $U_{BE} = 1.3V$, $U_D = 12.6V$
 $t = 50s$

- R3; R8; R9 (MBE, "MBE 04140C")
- alle anderen Widerstände: Metallschicht 1%
- C1 (Folienkondensator WIMA "MKP10")
- C2; C8 (Folienkondensator "kp")
- C4; C6; C7; C10 (Folienkondensator WIMA "MKP4")
- C3; C5; C9; C11 (PANASONIC, "FC")
- C12 (Subminiaturelko)
- Noval-Röhrensockel - Printmontage

TITLE: Tube ONE		REV: 1.0
Company: André Buscher Audiotechnik		Sheet: 1/1
Date: 22.02.2022	Drawn By: André Buscher	