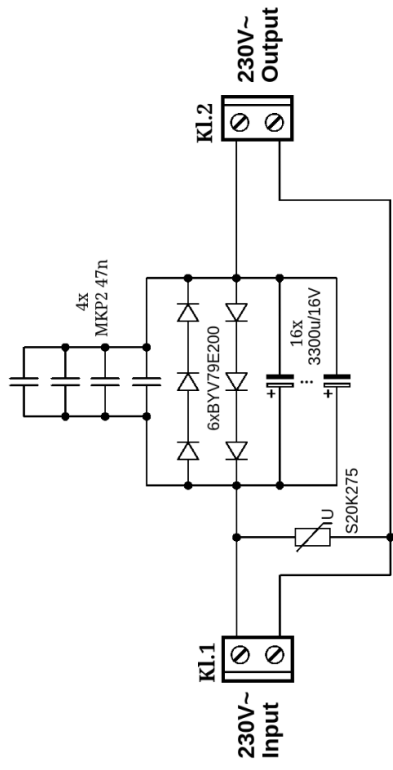


# Schaltplan DC-Filter



VDR (EPCOS "S20K275")  
Kondensatoren (Wima "MKP2"- RM5)  
Elkos (PANASONIC "FC")  
KL.1, KL.2 (Schraubklemme "AKL 101-02")

TITLE:

**DC-Filter**

REV: 1.0

Company: André Buscher Audiotechnik  
Date: 20.04.2022  
Drawn By: André Buscher

Sheet: 1/1