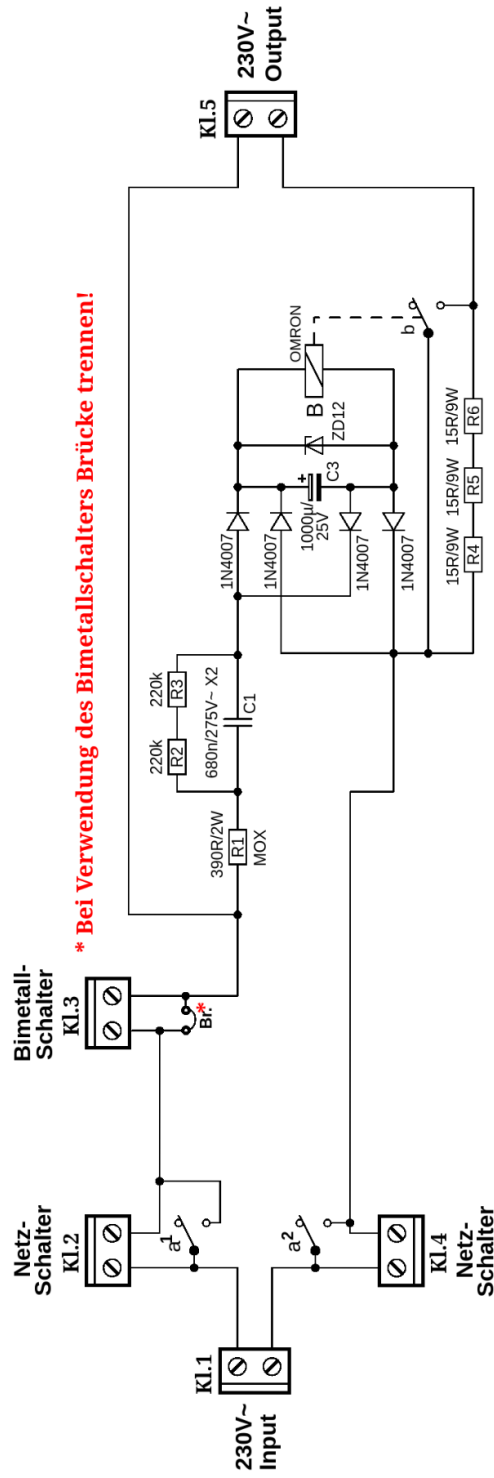
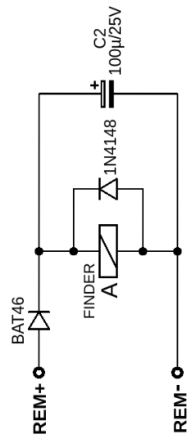


# Remote-Schalter & Soft-Start Schaltplan

(Mono-Version)



**\* Bei Verwendung des Bimetallschalters Brücke trennen!**

- R1 (MOX, 2W - Serie PO 593-0)
- R2, R3 (Metallschicht, 1W - Serie PR 01)
- R4, R5, R6 (Drahtwiderstand Serie KV214-3)
- C1 (PANASONIC Typ "ECQUA")
- C2, C3 (PANASONIC "FC")
- KL.1 ... KL.5 (Schraubklemme "AKL 101-02")
- Relais: FINDER - Typ "40.62.9.024.4000" (900R, 24V, Kontaktmaterial AgSnO2)
- Relais B: OMRON - Typ "G2R-1-E 12V" (275R, 12V, Kontaktmaterial Ag-alloy)

TITLE: Remote-Schalter (Mono) & Soft-Start		REV: 1.0
Company:		Sheet: 1/1
Date: 24.Oct.2022	Drawn By: André Buscher	