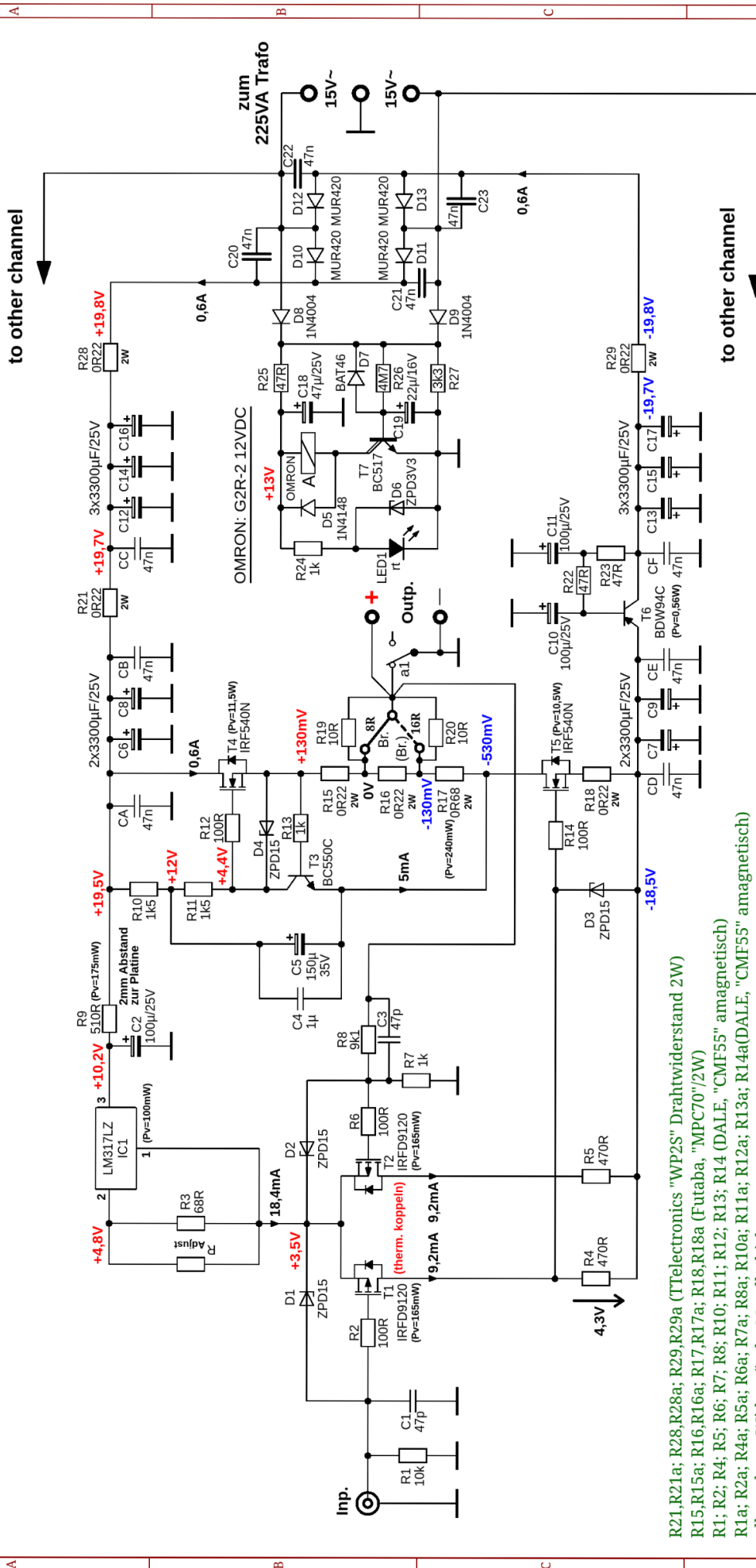


# SE 12 spez. Schaltplan



- R21, R21a; R28, R28a; R29, R29a (TTelectronics "WP2S" Drahtwiderstand 2W)
- R15, R15a; R16, R16a; R17, R17a; R18, R18a (Futaba, "MPC70"/2W)
- R1; R2; R4; R5; R6; R7; R8; R10; R11; R12; R13; R14 (DALE, "CMF55" amagnetisch)
- R1a; R2a; R4a; R5a; R6a; R7a; R8a; R10a; R11a; R12a; R13a; R14a (DALE, "CMF55" amagnetisch)
- alle anderen Widerstände: Metallschicht 1%
- C1, C1a; C3, C3a (Styroflex)
- C4, C4a (Folienkondensator "MKS")
- CA, CAa; CB, CBa; CC, CCa; CD, CDa; CE, CEa; CF, CFa (Folienkondensator "MKP2"- RM5)
- C2; C5; C10; C11; C18; C19 (PANASONIC, "FC")
- C6...C9, C6a...C9a; C12...C17, C12a...C17a (PANASONIC, "FS")
- Kühlkörper für T1, T1a; T2, T2a (Fischer "ICK SMD A85A" - 87K/W)
- Kühlkörper für T4, T4a; T5, T5a (FISCHER, "SK47-100SA")
- KAPTON-Isolierscheiben für T4, T4a; T5, T5a (FISCHER "KAP 220K")

TITLE:	SE 12 spez.
REV:	1.0
Company:	
Date:	04. Nov. 2022
Drawn By:	André Buscher
Sheet:	1/1